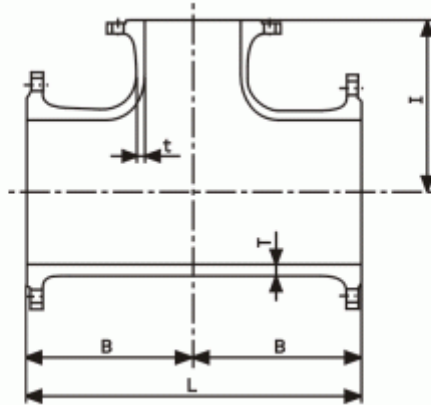




●All Flanged Tee



Unit: mm

Nominal size		Thickness		Dimensions			Weight (kg)			
D	d	T	t	B	I	L	7.5 K	10 K	16 K	20 K
75	75	8.5	8.5	160	140	320	17.9	13.5	15.6	16.5
100	75	8.5	8.5	180	160	360	21.9	16.8	20.0	21.0
100	100	8.5	8.5	180	160	360	23.1	17.7	21.4	22.4
150	75	9.0	8.5	190	190	380	30.0	27.3	32.3	34.9
150	100	9.0	8.5	190	190	380	31.2	28.2	33.7	36.3
150	150	9.0	9.0	190	190	380	33.8	31.9	38.3	41.8
200	100	11.0	10.0	200	230	400	43.8	39.4	46.9	49.9
200	150	11.0	11.0	250	250	500	52.9	49.7	58.1	61.9
200	200	11.0	11.0	250	250	500	56.1	52.2	61.6	65.5
250	100	12.0	10.0	230	250	460	62.0	58.6	71.4	78.0
250	150	12.0	11.0	230	250	460	64.9	62.7	76.4	83.8
250	250	12.0	12.0	280	260	560	80.4	78.0	95.4	104.7
300	100	12.5	10.0	240	280	480	77.1	69.7	87.5	94.7
300	150	12.5	11.0	240	280	480	79.9	73.7	92.4	100.4
300	200	12.5	11.0	330	300	660	99.2	92.3	112.0	120.1
300	300	12.5	12.5	330	300	660	109.0	100.6	125.5	135.7
350	250	14.0	12.0	360	340	720	133.0	121.4	152.4	163.5
350	350	14.0	13.0	360	340	720	144.0	127.8	165.6	177.6
400	300	14.0	12.5	410	390	820	175.0	167.4	208.9	225.9
400	400	14.0	14.0	410	390	820	188.0	180.8	230.6	251.0
450	300	15.0	12.5	440	420	880	214.0	204.0	257.5	277.3
450	450	15.0	14.5	440	420	880	237.0	226.2	294.0	318.6
500	300	15.0	12.5	480	460	960	256.0	245.8	310.1	331.7
500	350	15.0	13.0	480	460	960	262.0	249.2	317.8	340.0
500	500	15.0	15.0	480	460	960	285.0	273.9	357.9	385.2
600	400	16.0	14.0	550	530	1100	360.0	357.8	446.4	475.4
600	500	16.0	15.0	550	530	1100	376.0	372.5	472.5	503.8
600	600	16.0	16.0	550	530	1100	391.0	391.3	499.3	532.6
700	400	17.0	14.0	620	600	1240	479.0	481.0	589.8	686.2
700	500	17.0	15.0	620	600	1240	495.0	495.7	615.9	714.6
700	600	17.0	16.0	620	600	1240	508.0	512.5	640.7	741.4
700	700	17.0	17.0	620	600	1240	529.0	535.6	673.9	808.3



Unit: mm

Nominal size		Thickness		Dimensions			Weight (kg)			
D	d	T	t	B	I	L	7.5 K	10 K	16 K	20 K
800	500	18.0	15.0	690	670	1380	645.0	644.5	801.1	972.2
800	600	18.0	16.0	690	670	1380	658.0	661.3	825.9	999.0
800	700	18.0	17.0	690	670	1380	677.0	682.4	857.1	1063.9
800	800	18.0	18.0	690	670	1380	705.0	709.8	902.7	1348.8
900	600	19.0	16.0	600	690	1200	701.0	691.1	878.5	1089.6
900	700	19.0	17.0	770	750	1540	867.0	859.2	1056.7	1301.5
900	800	19.0	18.0	770	750	1540	893.0	884.6	1100.3	1381.3
900	900	19.0	19.0	770	750	1540	926.0	911.0	1138.1	1438.1
1000	600	20.0	16.0	680	770	1360	889.0	887.1	1137.1	-
1000	800	20.0	18.0	840	820	1680	1090.0	1089.6	1367.9	-
1000	1000	20.0	20.0	810	820	1680	1150.0	1147.0	1468.0	-
1100	600	21.0	16.0	650	800	1300	984.0	988.1	1254.1	-
1100	800	21.0	18.0	740	830	1480	1120.0	1125.6	1419.9	-
1100	1100	21.0	21.0	910	890	1820	1420.0	1426.0	1771.0	-
1200	600	22.0	17.0	680	860	1360	1160.0	1184.1	1490.1	-
1200	900	22.0	19.0	810	910	1620	1390.0	1409.0	1754.7	-
1200	1200	22.0	22.0	970	950	1940	1700.0	1736.0	2141.0	-
1350	600	24.0	19.0	700	950	1400	1470.0	1496.1	1882.1	-
1350	900	24.0	19.0	860	1000	1720	1760.0	1781.0	2206.7	-
1350	*1350	24.0	24.0	1080	1050	2160	2400.0	2439.0	2964.0	-
1500	600	26.0	21.0	730	1050	1460	1810.0	1856.1	2316.1	-
1500	1000	26.0	21.0	920	1100	1840	2220.0	2265.0	2796.0	-
1500	*1500	26.0	26.0	1180	1150	2360	3050.0	3119.0	3755.0	-

Note: Tees marked with * on the column of D.N shall be reinforced with ribs.

SHIN NAN CASTING FACTORY CO., LTD.

SHIN NAN CASTING FACTORY CO., LTD.

SHIN NAN CASTING FACTORY CO., LTD.

SHIN NAN CASTING FACTORY CO., LTD.

SHIN NAN CASTING FACTORY CO., LTD.

SHIN NAN CASTING FACTORY CO., LTD.